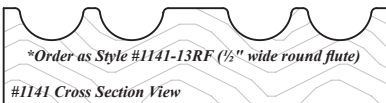
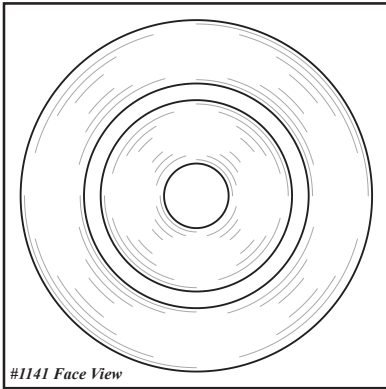


This page is intentionally left blank.

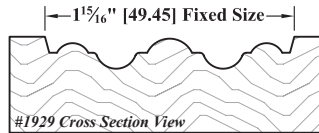
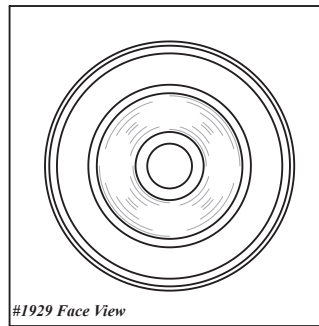
Rosettes

Accent Components

Style #1141 (Drawn at 3" x 3")



Style #1929 (Drawn at 2 1/2" x 2 1/2")



**Part # 1930
(Drawn at Fixed Size of 2 7/8" Diameter)**



Rosette Block Notes

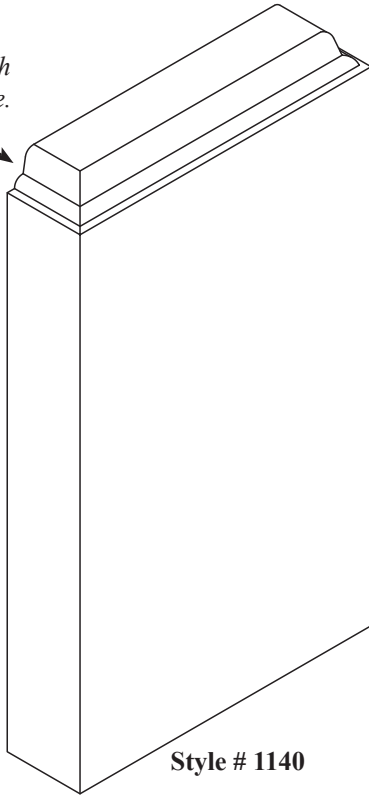
1)	Pricing	Please see Section 08 of the Wholesale Pricing Catalog .
2)	Ordering	Please use Order Form #5 - Moldings & Miscellaneous .
3)	Thickness	Available in 3/4", 1" and 1 1/4" thicknesses.
4)	Style #1141	Flute width is fixed at 1/2" wide with 1/8" spacing and 1/8" minimum flat space at edges.
		Flute depth is half of the flute width.
		The number of flutes will be determined by the width and height of the part.
		3" x 3" minimum part size.
5)	Style #1929	Minimum Part Size: 2 1/2" x 2 1/2".
		Comes standard with D7 Outside Edge Profile.
6)	Part #1930	Set pattern and fixed part size (2 7/8" diameter).
7)	Cross-Section Views	Not shown to scale.

► For **PRICING** ► See **Section 08** in our Wholesale Pricing Catalog.

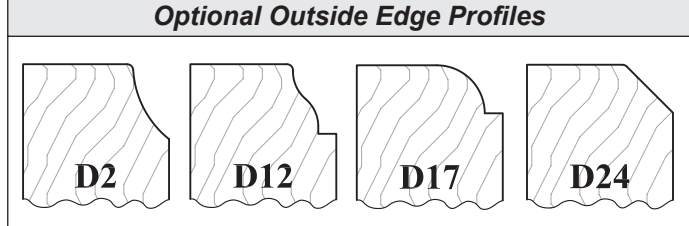
This page is intentionally left blank.

Plinth Blocks

Shown with a D30 edge.



Optional Outside Edge Profiles



0

Plinth Block Notes

1)	Pricing	Please see <i>Section 011</i> of the Wholesale Pricing Catalog.
2)	Ordering	Please use <i>Order Form #5 - Moldings & Miscellaneous</i> and part #1140 when ordering.
3)	Thickness	Available in 3/4", 1" and 1 1/4" thicknesses.
4)	Outside Edge Profiles	Plinth Blocks come standard with a D7 Outside Edge Profile. See <i>Section E15</i> for additional outside edge options. When selecting an optional edge profile, please factor in the width of the profile and the thickness of your plinth block in relation to the application.
5)	Minimum Size	3/4" Thick x 2" Wide x 3" High

► For PRICING ► See Section 011 in our Wholesale Pricing Catalog.